



**Navigator™** is a powerful, entry-level batch portable data terminal (PDT). Designed for truly comfortable and easy to use single-handed operation, Navigator is lightweight and features a unique high resolution "display-on-bottom" screen that optimizes viewing of the data and screen prompts.

**ISO 9001:2000**

Sunrise 2005 Compliant

## SP2550 Navigator™

### Features

- **2MB RAM capable of storing over 100,000 records**
- **Easy to use Application Generator and download software (included)**
- **Crisp auto-backlit LCD display**
- **Supports 'C' programming**
- **Built-in laser bar code scan engine**
- **Two 'AA' batteries provide over 100 hours of operation**
- **Optional rechargeable Li-Ion battery**
- **Upload/download data using RS232 and USB interfaces**

Combination download cradle/charger



**Metrologic's Navigator** is a compact portable data terminal (PDT). Its unique "display-on-bottom" design places the unit perfectly centered in the hand of the operator, allowing for the best possible viewing as well as providing comfortable single-handed operation.

The high-resolution LCD display allows the Navigator to show sharp, clear bitmap images while supporting all Windows recognized font types and sizes. With the auto back-lit feature, the brightness adjusts automatically making the screen easy to read in all light conditions.

Each Navigator contains an easy-to-use Windows® based application generator and download utilities. For advanced programming you can choose to write software using Metrologic's advanced

ProGen™ application generator or 'C' programming. ProGen provides the user further enhancements including drag and drop icons, time/date stamp, battery level indicator and variable fonts, giving the user the ability to create custom screen layouts.

Two standard 'AA' or rechargeable Li-Ion batteries provide more than 100 hours of operation. In addition, the Navigator comes standard with 2MB of RAM providing enough memory to store over 100,000 records.

The cost effective Navigator comes complete with a download/charger cradle, application generator software including communication utilities, communication cable, power supply and choice of batteries.



# SP2550 Navigator™

## OPERATIONAL

<b>System</b>	
CPU	Motorola Dragonball™ VZ - 33 MHz
Program Memory	1 MB flash ROM
Data Memory	2 MB SRAM
Display	LCD, backlit - 10 x 25 characters (typical)
Resolution	160 x 120 pixels
Keypad	24 rubber keys; alpha/numeric, function keys, 5 position jog button
Indicators	Good scan tone; Key press tone
<b>Scanner</b>	
Light Source	650 nm VLD ± 10 nm
Minimum Bar Width	0.127 mm (5.0 mil)
Width of Scan Field	57 mm (2.3") @ face; 197 mm (7.8") @ 66 mm (3.5")
Depth of Scan Field	35 mm - 216 mm (1.5" - 8.5") for 0.33 mm (13 mil) bar codes
Scan Speed	100 scan lines per second
Decode Capability	Autodiscriminates all standard 1-D and RSS-14 bar codes; for other symbologies call Metrologic
Communication (via cradle)	RS-232, USB (low speed), KBW
Application Development	Windows-based Application Generator; optional C compilers

## MECHANICAL

Height	38 mm (1.5")
Depth	159 mm (6.3")
Width	60 mm (2.4")
Weight	206 g (7.3 oz) - including batteries

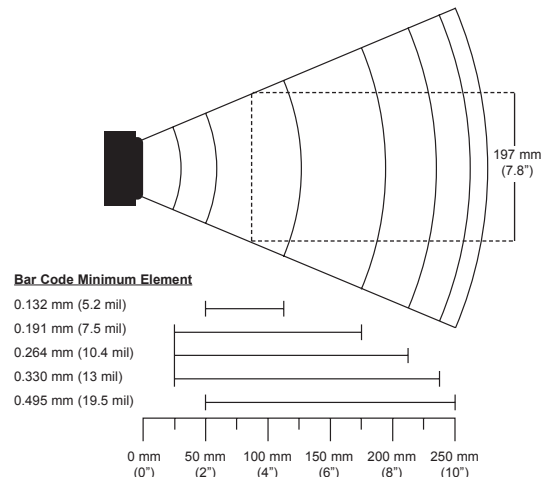
## ELECTRICAL

Battery Operation	Two "AA" batteries; optional one Li-ion rechargeable battery
Battery Backup	3.0V, 7.0mA hours, rechargeable lithium battery
Operation	Over 100 hours (with two "AA" batteries)
Laser Class	CDRH: Class II; IEC 60825-1:1993+A1:1997+A2:2001
EMC	FCC, ICES-003 & EN55022 Class B

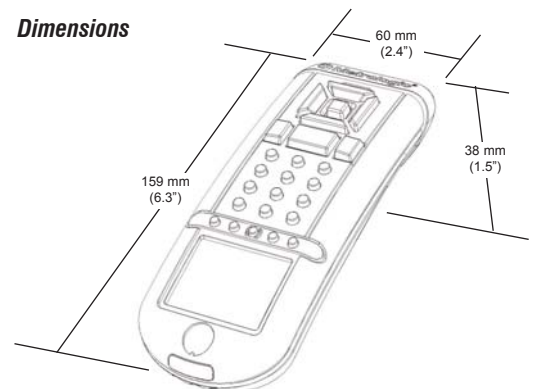
## ENVIRONMENTAL

Operating Temperature	0°C to 40°C (32°F to 140°F)
Storage Temperature	-20°C to 50°C (-4°F to 122°F)
Humidity	5% to 95% relative humidity, non-condensing
Light Levels	Up to 4,842 Lux (450 footcandles)
Shock	Designed to withstand 1.5 m (5') drops
Contaminants	Sealed to resist airborne particulate contaminants
Ventilation	None required

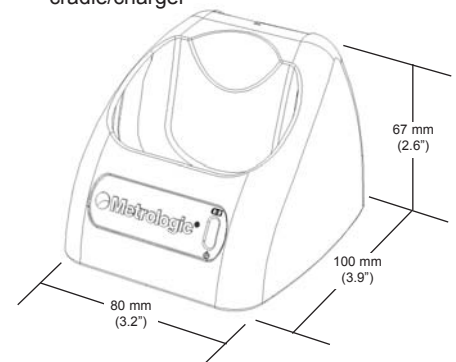
## Scan Area



## Dimensions



## cradle/charger



Navigator is available in the following color

Dark Grey  Black 

Sample only, actual color may vary



www.metrologic.com

**USA**  
Tel. 1.800.ID.METRO  
info@metrologic.com

**Asia**  
Tel. 65.6842.7155  
info@sg.metrologic.com

**AOA (only)**  
Tel. 1.617.806.1400  
info@aoa.metrologic.com

**China (only)**  
Tel. 86.512.62572511  
info@cn.metrologic.com

**South America**  
Tel. 55.11.5182.7273  
info@sa.metrologic.com

**Japan (only)**  
Tel. 81.03.3839.8511  
info@jp.metrologic.com

**Brazil (only)**  
Tel. 55.11.5182.8226  
info@br.metrologic.com

**Europe**  
Tel. 49.89.89019.0  
info@europe.metrologic.com

Specifications subject to change without notice.  
Printed U.S.A., Copyright October 2003  
Metrologic, All rights reserved.

