



MS7120 Orbit®

Features

- Fully automatic scanning operation
- PowerLink, user-replaceable cables
- MetroSet™ and MetroSelect™ configuration
- 7 beeper tones
- Programmable depth of field
- Bits 'n' Pieces™ data editing
- Mount on wall or counter
- MetroPOS™ compatible



Orbit® is an aggressive, omnidirectional presentation laser bar code scanner. Lightweight and rugged, Orbit is small in size but BIG in performance.

Designed for applications where counter space is at a premium, Orbit is the ideal presentation scanner for retail, convenience, liquor and specialty stores. In addition, Orbit's unique, contoured shape allows it to be picked up and used as a hand-held when scanning large or bulky items.

Engineered with a large, easy-to-find sweet spot, Orbit increases first pass read

rate for maximum productivity. The scanning head can be tilted vertically a full 30° for added flexibility when scanning various sized objects. Orbit has a patented 20-line omnidirectional scan pattern that produces 1,200 scan lines per second. These features increase the scanning throughput, without increasing Orbit's size.

Orbit is engineered for easy configuration and utilizes user-replaceable cables, in order to meet the multiple application needs across the many markets it serves. Data editing or "parsing" is also a standard feature. Parsing enables the encoded information to be manipulated to meet the host system's requirements.



MS7120 Orbit®

OPERATIONAL

Light Source	Visible Laser Diode 675 nm + 5 nm
Laser Power	0.681 mW (peak)
Depth of Scan Field	0 mm - 215 mm (0" - 8.5") for 0.33 mm (13 mil) bar codes (programmable)
Width of Scan Field	60 mm (2.4") @ face; 105 mm (4.1") @ 216 mm (8.5")
Scan Speed	1200 scan lines per second
Scan Pattern	5 fields of 4 parallel lines (omnidirectional)
Number of Scan Lines	20
Minimum Bar Width	0.13 mm (5.2 mil)
Decode Capability	Autodiscriminates all standard bar codes; for other symbologies call Metrologic
System Interfaces	PC Keyboard Wedge, RS232, OCIA, Light Pen, IBM 468X/469X, Stand Alone Keyboard
Print Contrast	35% minimum reflectance difference
Number Characters Read	Up to 80 data characters
Roll, Pitch, Yaw	360°, 60°, 60°
Beeper Operation	7 tones or no beep
Indicators (LED)	Green* = laser on, ready to scan; Red* = good read * Indicator colors can be reversed

MECHANICAL

Height	150 mm (5.9")
Depth	105 mm (4.1")
Width - Orb	80 mm (3.1")
Width - Base	102 mm (4.0")
Weight	380 grams (13.4 oz)
Termination	10 pin modular RJ45
Cable	Standard 2.1 m (7') straight; optional 2.7 m (9') coiled; for other cables call Metrologic
Tilt - Orb	30° vertical

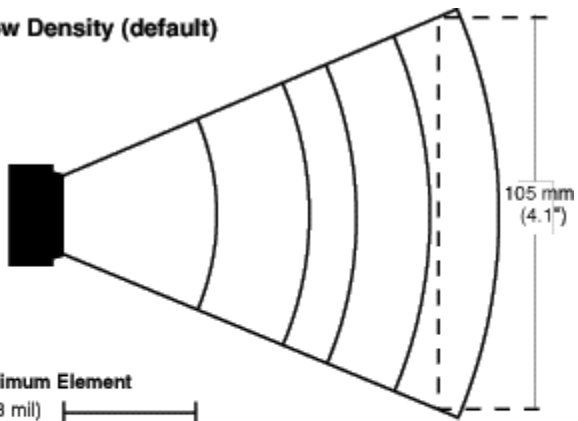
ELECTRICAL

Input Voltage	5 VDC + 0.25 V
Power	1.1 W typical @ 5 VDC
Operating Current	220 mA
DC Transformers	Class 2; 5.2 V @ 650 mA
Laser Class	CDRH: Class IIa; EN60825-1:1994/A11:1996 Class 1
EMC	FCC Class A, CISPR Class A

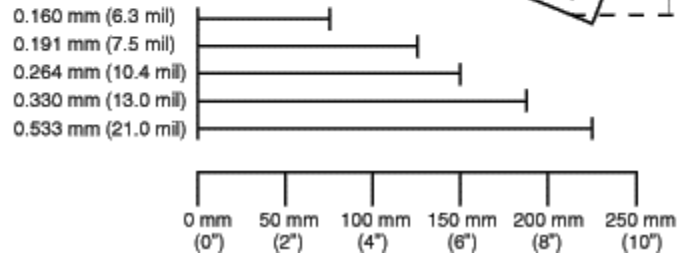
ENVIRONMENTAL

Operating Temperature	0°C to 40°C (32°F to 104°F)
Storage Temperature	-40°C to 60°C (-40°F to 140°F)
Humidity	5% to 95% relative humidity, non-condensing
Light Levels	Up to 4842 Lux (450 footcandles)
Shock	Designed to withstand 1 m (3.1') drops
Contaminants	Sealed to resist airborne particulate contaminants
Ventilation	None required

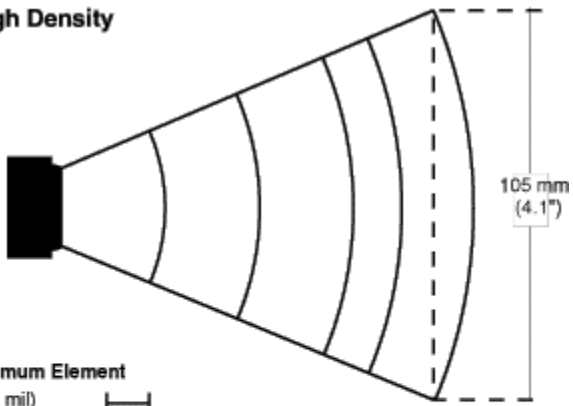
Optimal Low Density (default)



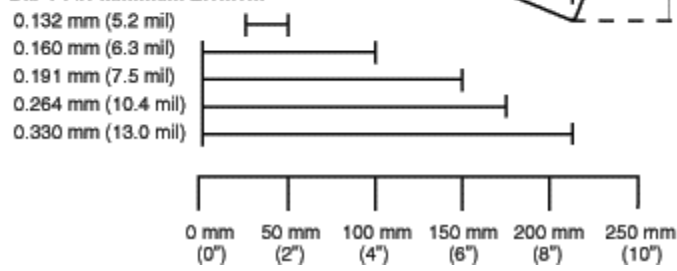
Bar Code Minimum Element



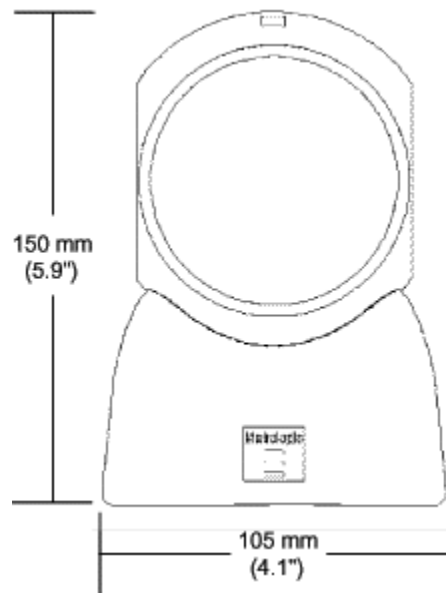
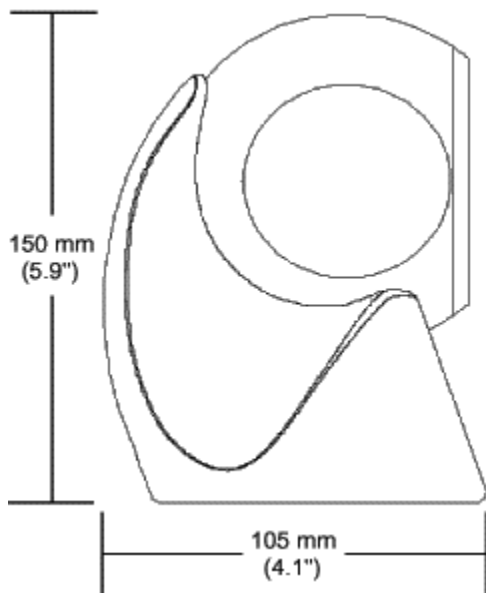
Optimal High Density



Bar Code Minimum Element



DIMENSIONS



Specifications subject to change without notice.
 Copyright January 2000
 Metrologic, All rights reserved

